

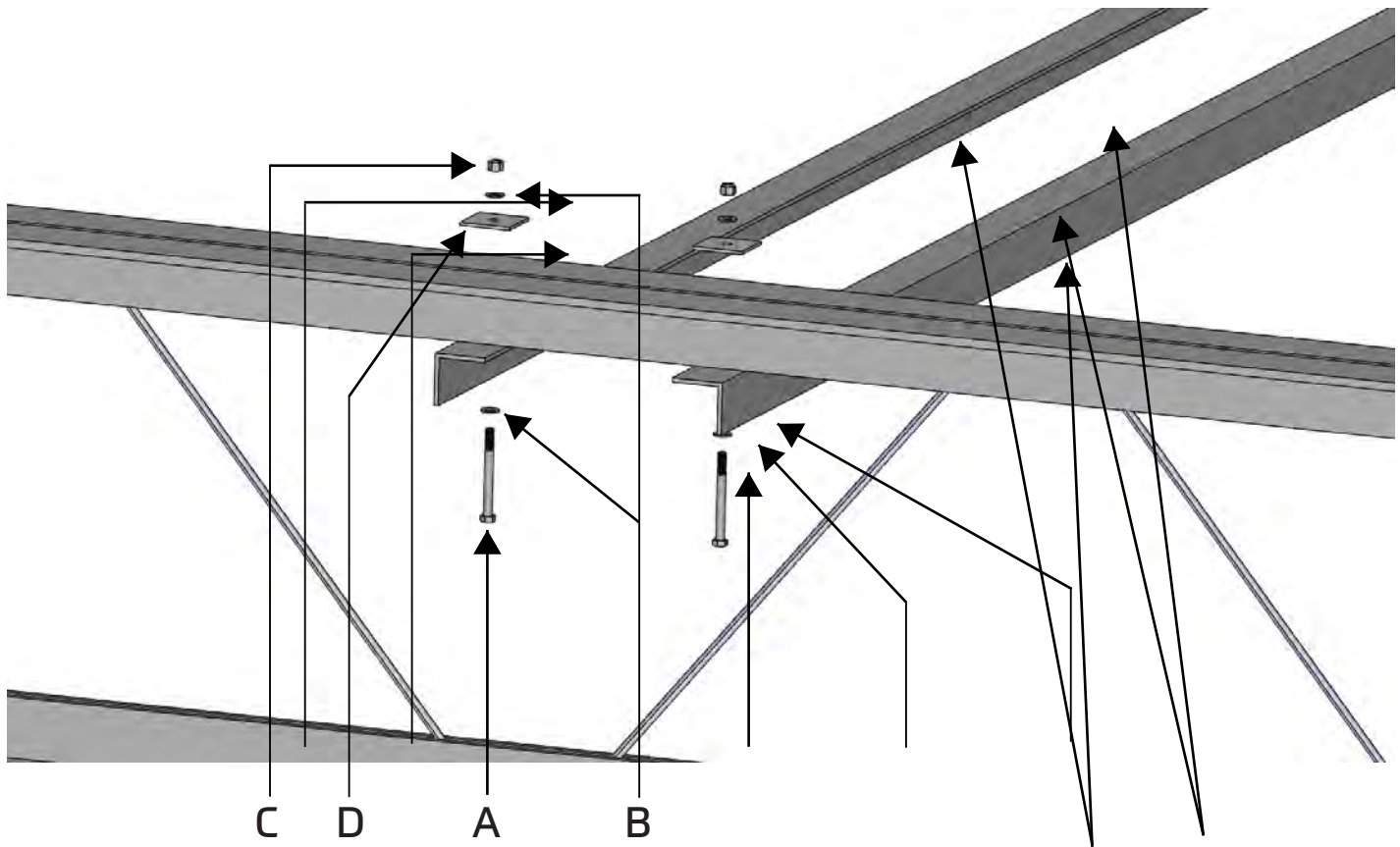
⚠ WARNING: A structural engineer will need to verify that the structure is suitable prior to the installation of the fan. The fan should not be installed unless the structure on which the fan will be mounted is securely constructed, without damages, and can support the load of the fan. It is the sole responsibility of the customer/end user to have the stability of the mounting structure verified. Go Fan Yourself® hereby denies any liability resulting from the lack of verification or from the use of any materials or hardware than those supplied by Go Fan Yourself® or otherwise indicated within these installation instructions.

NOTE: The 3"x3"x1/4" steel angles must be supplied by the installer. Hardware used to secure the angles to the mounting structure is not included.

NOTE: If the truss span is wider than 8 FT (4) steel angles are required. Contact GFY® for additional instructions. Anchor each set of steel angles back-to-back with the following contractor supplied hardware:

(1) 1/2"x13 Grade 8 Bolt | (2) 1/2" Grade 8 Washers | (1) 1/2"x13 Grade 8 Nylock Nut

- A - (4) 1/2"x13x1.5" longer than the lower chord of the truss Grade 8 Cap Head Screw
- B - (8) 1/2" Grade 8 Flat Washer
- C - (4) 1/2"x13 Grade 8 Steel Nylock Nut
- D - (1) GFY Truss Kit will be included with your fan and include (4) square washers

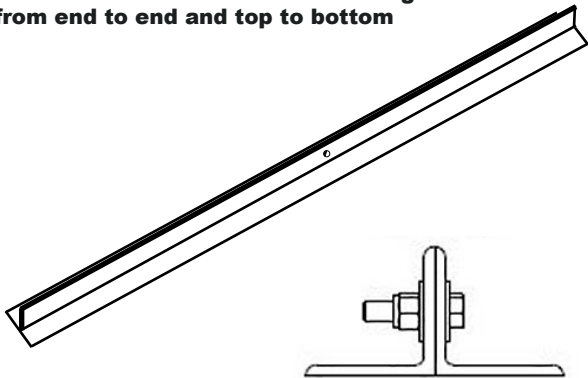


3"x3"x1/4" steel angles

Back-to-Back Angle Iron For Applications Where The Truss Span Is Greater Than 8FT

Use two of these angle iron assemblies per fan.

- **Align the angle irons**
- **Drill a 9/16" hole in the center of the angle iron from end to end and top to bottom**



Contractor Supplied Hardware:

- (1) **1/2" Grade 8 Hex Head Bolt**
- (2) **1/2" Grade 8 Flat Washer**
- (1) **1/2" Grade 8 Nylock Nut**